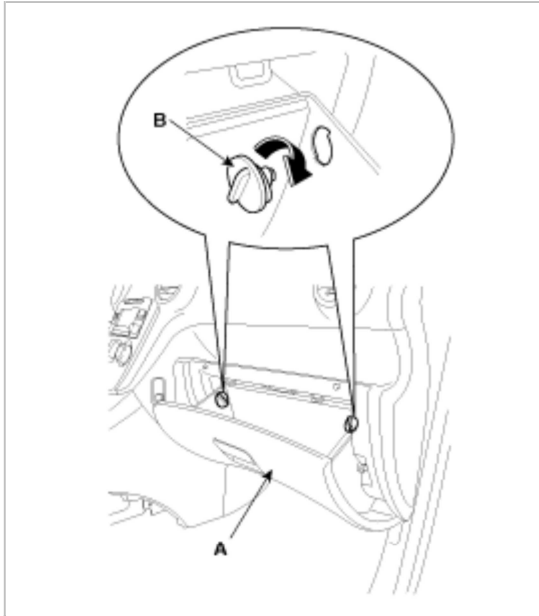
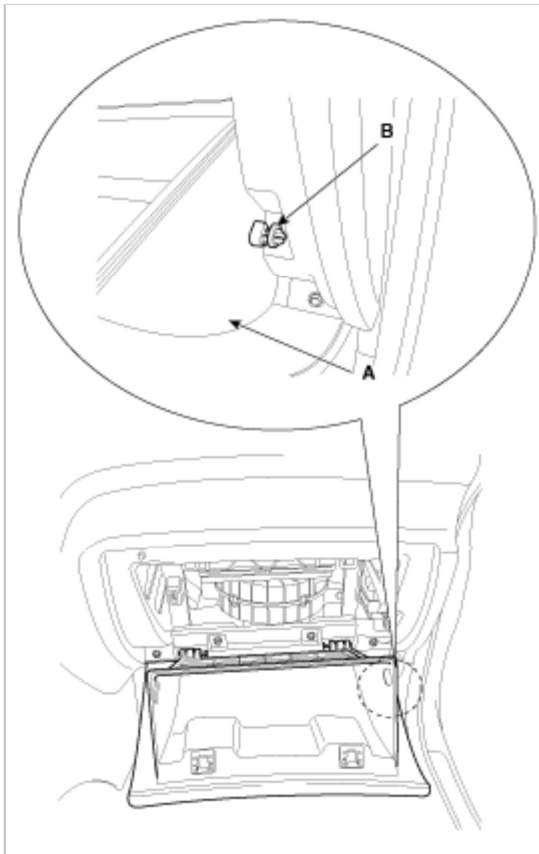


RONDO(UN) >2010 > G 2.4 DOHC > Heating,Ventilation, Air Conditioning**REPLACEMENT**

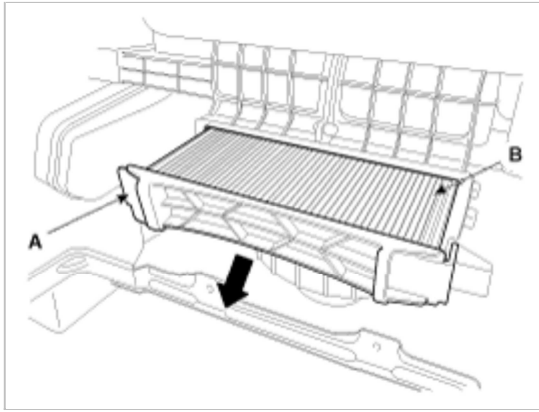
1. Open the glove box (B). Lower the glove box down completely by removing the glove box stopper (A) to the glove box.



2. Remove the glove box (A) from the lift (B).



3. Remove the climate control air filter (A).

**NOTE**

In case of driving in an air-polluted area or rugged terrain, check and replace the air filter as frequently as possible.

4. Installation is the reverse order of removal.